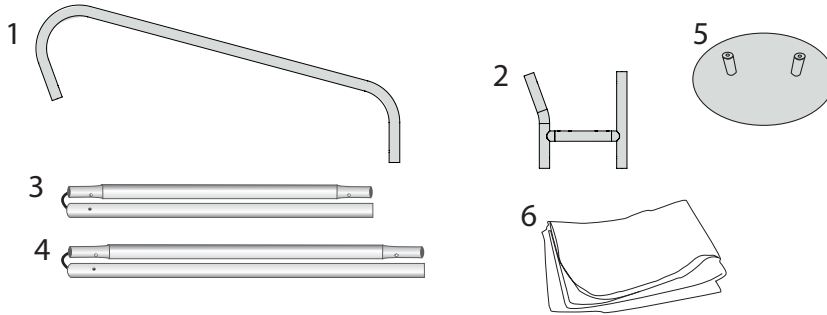


EuroFit Angle Banner Display

Product Parts

1. Top Bar
2. Bottom Bar Assembly
3. Vertical Bar
4. Angled Vertical Bar
5. Base
6. Graphic



Display Set-Up

Step 1

Begin by removing all parts from the box and place on a clean, flat surface. Ensure you have all the components listed above.

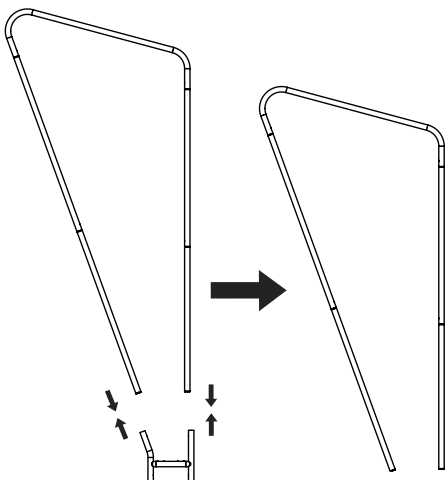
Step 2

Assemble all the poles by connecting the corresponding numbers together while pressing the snap button as shown. Longer Poles are shock-corded for ease of assembly.



Step 3

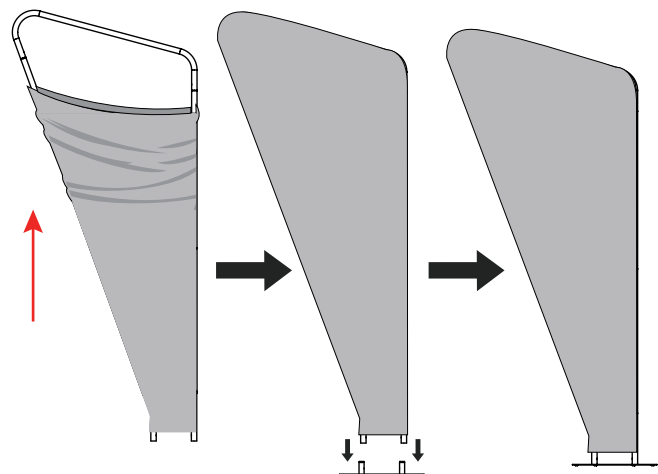
Continue to connect the poles illustrated in the image below.



DO NOT ATTACH TO BASE
UNTIL GRAPHIC
IS INSTALLED

Step 4

To put the graphic on the hardware, unzip the top of the graphic (6) and pull the graphic onto the frame from the bottom up, zip the top of the graphic closed and attach the frame with the graphic to the base (5).



Storage & Care

Place all product parts into box and store in a cool dry location. Recommended for indoor use only. Machine was on gentle cycle using mild detergent. Tumble Dry No Heat. Do Not dry clean, Do Not Iron.